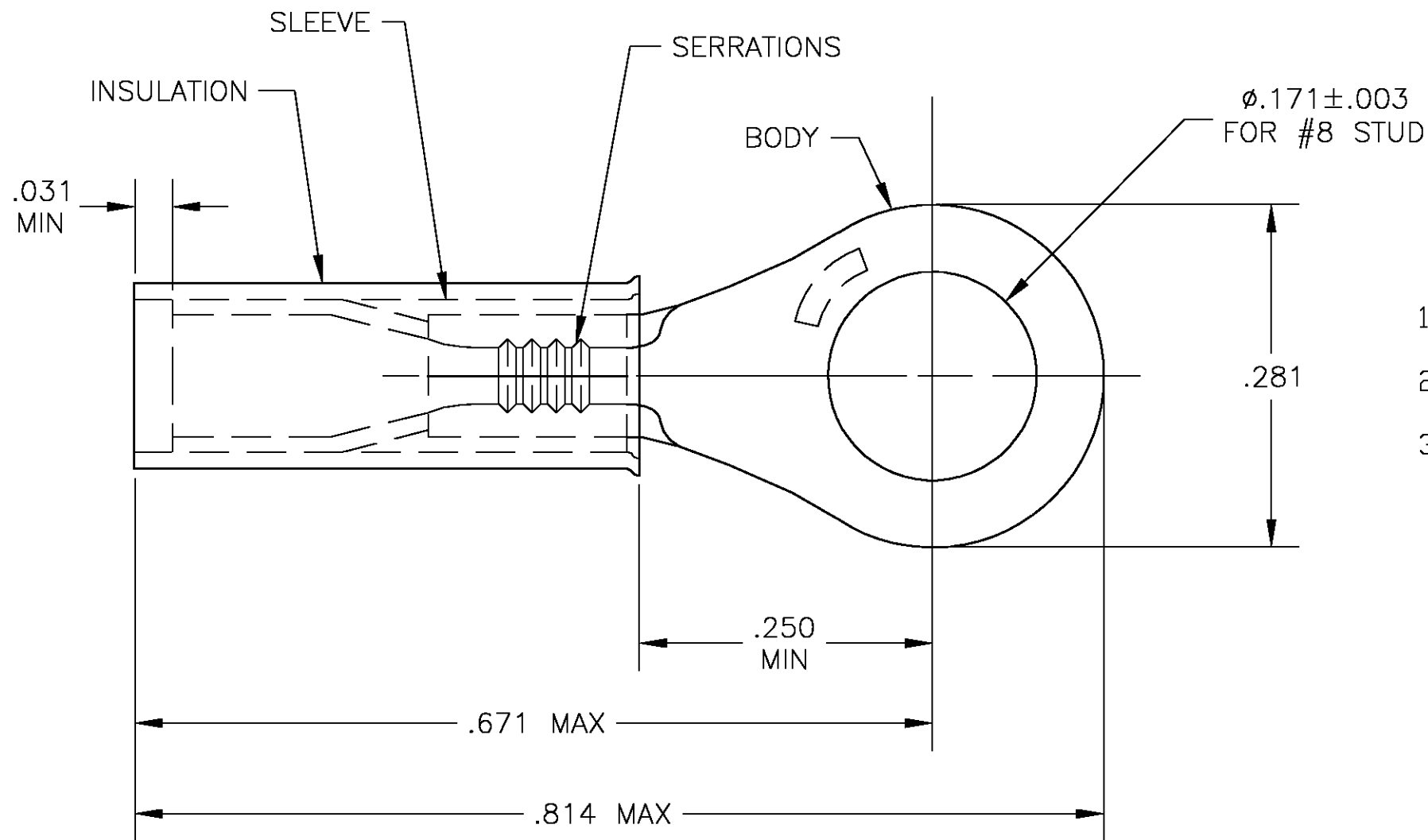


THIS DRAWING IS UNPUBLISHED. RELEASED FOR PUBLICATION
 © COPYRIGHT BY TYCO ELECTRONICS CORPORATION. ALL RIGHTS RESERVED.

LOC	DIST	REVISIONS			
P	LTR	DESCRIPTION	DATE	DWN	APVD
G	14	C	REV PER 0G3A-0049-04	27JAN04	JR TM



- 1 TONGUE MATERIAL THK IS .027±.001
- 2 FOR .050 TO .105 WIRE INS. DIA.
- 3 MUST BE CRIMPED WITH 22-18 OR 22-16 PIDG (RED) TOOL.

1	OBSOLETE 54311-2	54311-1	BODY: COPPER ASTM B152 TIN PL PER ASTM B545 SLEEVE: COPPER ASTM B3 TIN PL PER ASTM B545 INSULATION: NYLON PER ASTM D4066 TYPE I, COLOR; YELLOW
QTY	TAPE NO	PART NO	MATERIAL & FINISH

THIS DRAWING IS A CONTROLLED DOCUMENT.		DWN JR RUTH 27JAN04	Tyco Electronics Corporation Harrisburg, Pa 17105-3608	
DIMENSIONS: INCHES	TOLERANCES UNLESS OTHERWISE SPECIFIED:	CHK T MICHIELUTTI 27JAN04	NAME	
	0 PLC ± -	APVD T MICHIELUTTI 27JAN04	PRODUCT SPEC	
	1 PLC ± -		APPLICATION SPEC	
	2 PLC ± -		SIZE	CAGE CODE
	3 PLC ± .008		DRAWING NO	
	4 PLC ± -		RESTRICTED TO	
	ANGLES ± 1'		A3 00779 C-54311	
MATERIAL SEE TABLE	FINISH SEE TABLE	WEIGHT -	CUSTOMER DRAWING	
			SCALE 8:1	SHEET 1 OF 1
			REV C	